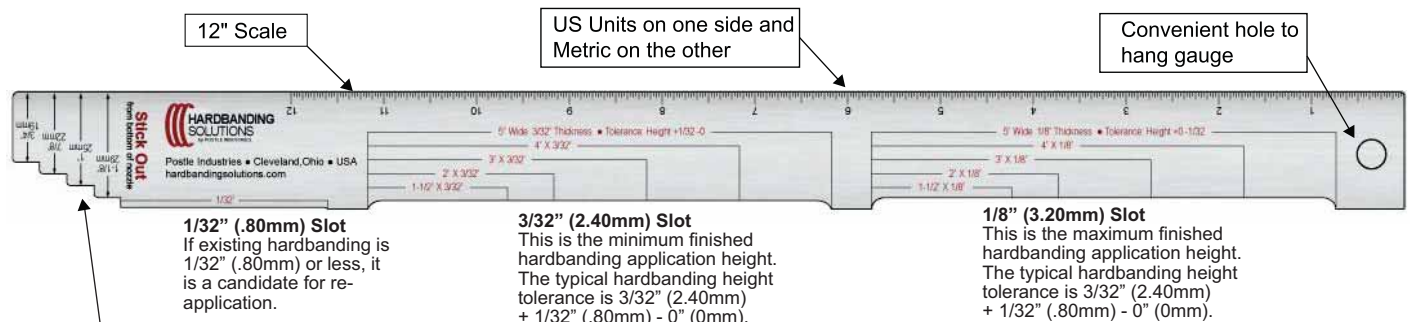


POSTALLOY[®] HARDBAND GAUGE

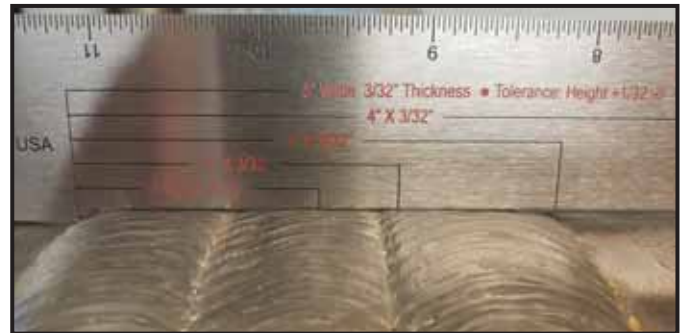
Data Sheet

Part No. HBGAUGE

This easy-to-use gauge will help you determine whether a new hardband application is needed and includes slots to measure finished hardband thicknesses in both US and Metric measurements.



Torch stickout can be determined using the notches at the end of the gauge. This is used by hardband operators when setting up hardbanding machines for proper application.



- Set gauge over worn hardbands to determine if it needs to be re-hardbanded using the 1/32" (.80mm) Slot
- Set the gauge over finished hardbands to determine band height, width and profile using the 3/32" (2.40mm) or 1/8" (3.2mm) Slots
- Material: 50 gauge stainless steel · Size: 15" x 1.25" (381mm x 32mm)